

Message Implementation Guideline

APERAK in BIP

based on

APERAK

Application error and acknowledgement message

UN D.01B S3

Version:	D01B
Variant:	BIP_1.2_en
Issue date:	31.03.2011
Author:	ipa, bka, avo

Contents

Timing when receiving APERAK.....	3
Structure of an APERAK	5
Segments of an APERAK.....	9
Error Code of an APERAK	26

Timing when receiving APERAK

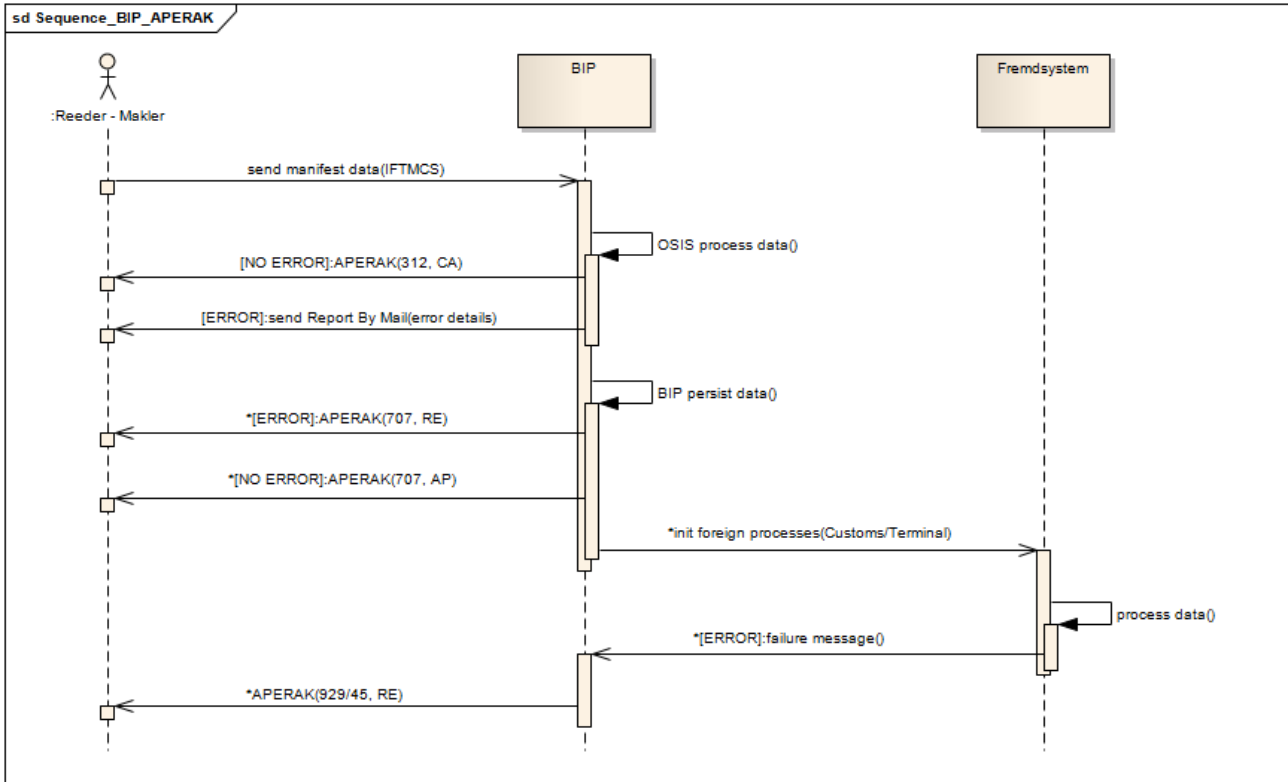


Figure 1: Sequence diagram for APERAK in BIP

After sending your manifest data in electronic form (IFTMCS) to the BIP-system, you will receive more than one APERAK. Your data pass several processing steps through the BIP-system, which are partially acknowledged with an APERAK as successful or failed. After a success message, you can get in the next processing step an error message. The sequence diagram in Figure 1 provides an overview of the system messages sent from the BIP-system.

1. In the first process step, a structural assessment is carried out (OSIS process data()). If your message is accepted as an EDIFACT, [NO ERROR], the BIP-system sends optional a confirmation: APERAK(312, CA) with **CA=Conditionally accepted**.
Initial this message is not sent. Please contact us, if you want to change the send status. In case of errors during the structural testing, you currently receive a detailed error message by email.
2. If your message has been accepted as EDIFACT, the acquisition of the data in the BIP- system begins. During this process you will receive a success or error message for each individual consignment: [NO ERROR]:APERAK(707,AP) with **AP=Accepted** or [ERROR]:APERAK(707,RE) with **RE=Rejected**

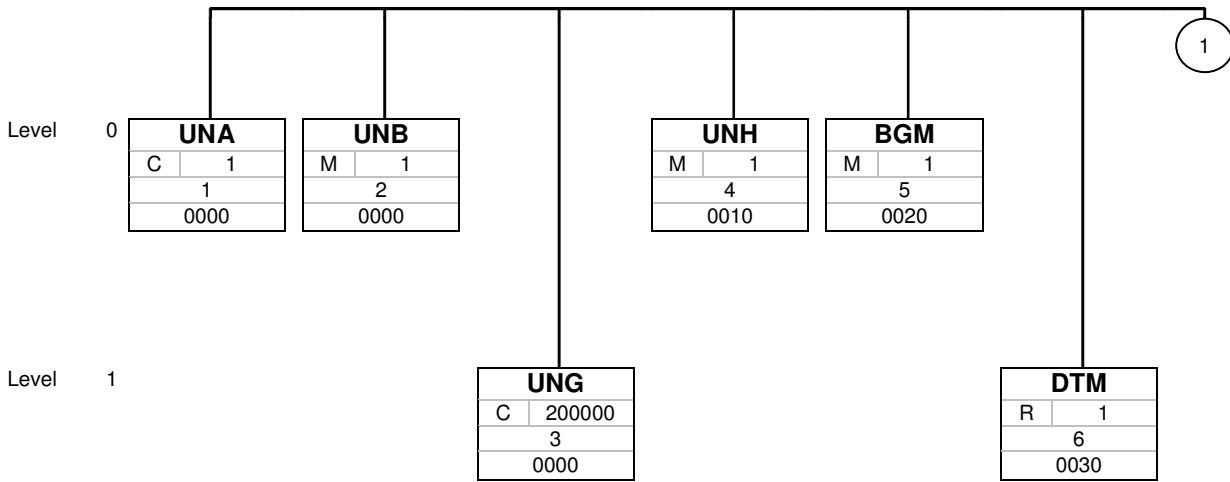
3. In the further processing of the, up to now, error-free consignments, for example the request for early SumA in the ATLAS system, your data may be rejected. Also in this case you get an APERAK out of the BIP-system.

Structure of an APERAK

Counter	No	Tag	St	MaxOcc	Level	Content
0000	1	UNA	C	1	0	Service string advice
0000	2	UNB	M	1	0	Interchange header
0000	3	UNG	C	200000	1	Functional group header
0010	4	UNH	M	1	0	Message header
0020	5	BGM	M	1	0	Beginning of message
0030	6	DTM	R	1	1	Declaration of the processing date from the received Message
0090		SG2	C	9	1	Reference data of original message
0100	7	RFF	M	1	1	Reference data referencing original BGM Document identifier
0090		SG2	C	9	1	Reference data of original message
0100	8	RFF	M	1	1	SIS Ship reference number
0090		SG2	C	9	1	Reference data of original message
0100	9	RFF	M	1	1	Reference
0120		SG3	M	9	1	Sender contactdata, the dbh Logistics IT AG
0130	10	NAD	M	1	1	Address data dbh
0140	11	CTA	R	9	2	Contact person dbh support
0150	12	COM	C	9	2	Communication contact
0160		SG4	D	99999	1	Error group
0170	13	ERC	M	1	1	Application error information
0180	14	FTX	C	1	2	Additional information (free Text) for the error
0220	15	UNT	M	1	0	Message trailer
0000	16	UNE	C	1	0	Functional group trailer
0000	17	UNZ	M	1	0	Interchange trailer

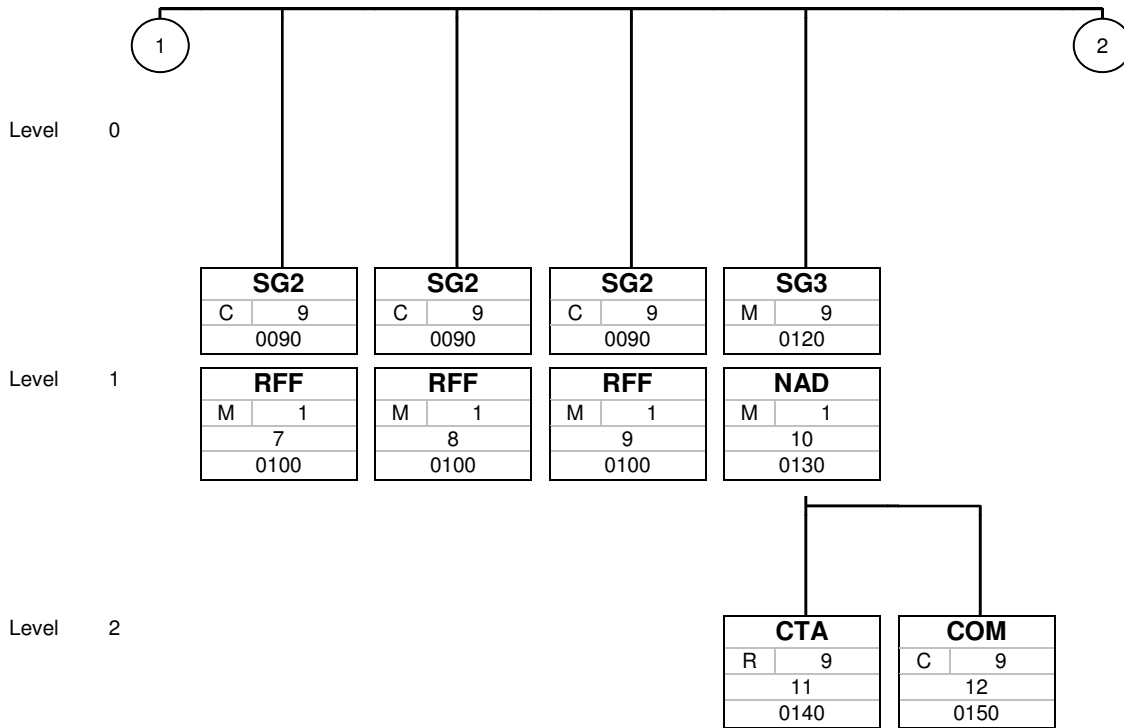
Counter = Counter of segment/group within the standard
 No = Consecutive segment number
 MaxOcc = Maximum occurrence of the segment/group

St = Status
 EDIFACT: M=Mandatory, C=Conditional
 User specific: R=Required, O=Optional, D=Dependent,
 A=Advised, N=Not used



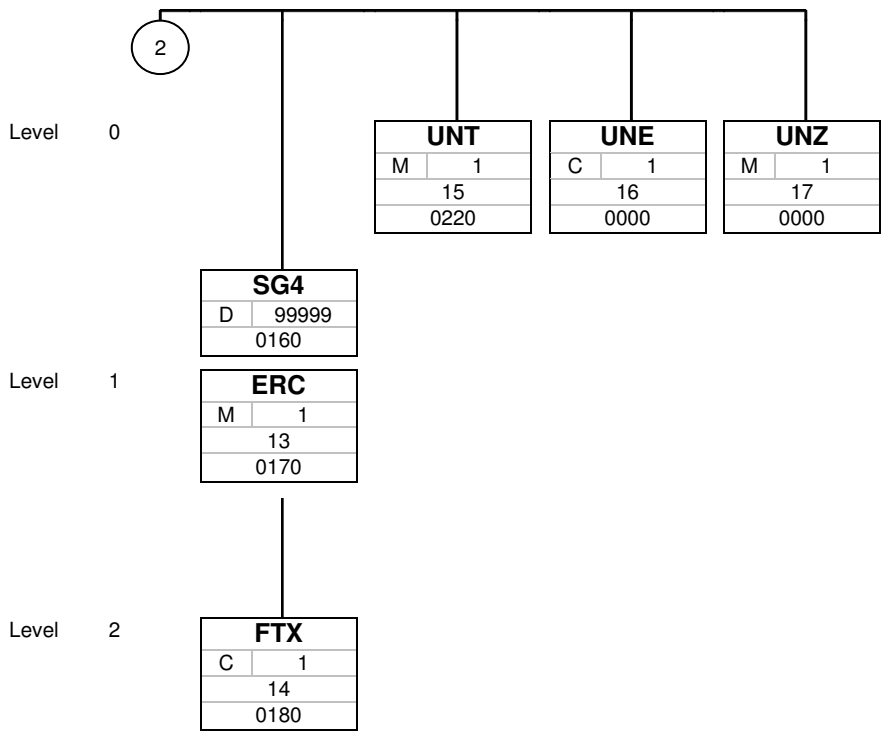
Tag
St MaxOcc
No
Counter

Tag = Segment/Group Tag
 St = Status (M=Mandatory, C=Conditional, R=Required, O=Optional, A=Advised, D=Dependent)
 MaxOcc = Maximum occurrence of the segment/group
 No = Consecutive segment number
 Counter = Counter of segment/group within the standard



Tag
St MaxOcc
No
Counter

Tag = Segment/Group Tag
 St = Status (M=Mandatory, C=Conditional, R=Required, O=Optional, A=Advised, D=Dependent)
 MaxOcc = Maximum occurrence of the segment/group
 No = Consecutive segment number
 Counter = Counter of segment/group within the standard



Tag
St MaxOcc
No
Counter

Tag = Segment/Group Tag
 St = Status (M=Mandatory, C=Conditional, R=Required, O=Optional, A=Advised, D=Dependent)
 MaxOcc = Maximum occurrence of the segment/group
 No = Consecutive segment number
 Counter = Counter of segment/group within the standard

Segments of an APERAK

Counter	No	Tag	St	MaxOcc	Level	Name
0000	1	UNA	C	1	0	Service string advice

Standard			Implementation	
Tag	Name	St Format	St Format	Usage / Remark
UNA				
UNA1	Component data element separator	M an1	M an1	
UNA2	Data element separator	M an1	M an1	
UNA3	Decimal notation	M an1	M an1	
UNA4	Release indicator	M an1	M an1	
UNA5	Reserved for future use	M an1	M an1	
UNA6	Segment terminator	M an1	M an1	

Remark:

Example:

UNA: + . ? ' |

No = Consecutive segment number
 MaxOcc = Maximum occurrence of the segment/group
 Counter = Counter of segment/group within the standard

St = Status
 EDIFACT: M=Mandatory, C=Conditional
 User specific: R=Required, O=Optional, D=Dependent,
 A=Advised, N=Not used

Counter	No	Tag	St	MaxOcc	Level	Name
---------	----	-----	----	--------	-------	------

0000 2 **UNB** M 1 0 Interchange header

		Standard	Implementation	
Tag	Name	St Format	St Format	Usage / Remark
UNB				
S001	Syntax identifier	M	M	
0001	Syntax identifier	M a4	M a4	
0002	Syntax version number	M n1	M n1	
S002	Interchange sender	M	M	
0004	Sender identification	M an..35	M an..35	
0007	Partner identification code qualifier	C an..4	C an..4	
0008	Address for reverse routing	C an..14	C an..14	
S003	Interchange recipient	M	M	
0010	Recipient identification	M an..35	M an..35	
0007	Partner identification code qualifier	C an..4	C an..4	
0014	Routing address	C an..14	C an..14	
S004	Date/time of preparation	M	M	
0017	Date of preparation	M n6	M n6	
0019	Time of preparation	M n4	M n4	
0020	Interchange control reference	M an..14	M an..14	
S005	Recipient's reference, password	C	C	
0022	Recipient's reference/password	M an..14	M an..14	
0025	Recipient's reference/password qualifier	C an2	C an2	
0026	Application reference	C an..14	C an..14	
0029	Processing priority code	C a1	C a1	
0031	Acknowledgement request	C n1	C n1	
0032	Communications agreement ID	C an..35	C an..35	
0035	Test indicator	C n1	C n1	

Remark:

Example:

UNB+UNOB:2+X:1:X+X:1:X+100922:1559+X+X:AA+X+A+1+X+1'

No = Consecutive segment number
 MaxOcc = Maximum occurrence of the segment/group
 Counter = Counter of segment/group within the standard

St = Status
 EDIFACT: M=Mandatory, C=Conditional
 User specific: R=Required, O=Optional, D=Dependent,
 A=Advised, N=Not used

Counter	No	Tag	St	MaxOcc	Level	Name
---------	----	-----	----	--------	-------	------

0000	3	UNG	C	200000	0	Functional group header
------	---	------------	---	--------	---	-------------------------

Standard			Implementation	
Tag	Name	St Format	St Format	Usage / Remark
UNG				
0038	Functional group identification	M an..6	M an..6	
S006	Application sender's identification	M	M	
0040	Sender identification	M an..35	M an..35	
0007	Partner identification code qualifier	C an..4	C an..4	
S007	Application recipient's identification	M	M	
0044	Recipient's identification	M an..35	M an..35	
0007	Partner identification code qualifier	C an..4	C an..4	
S004	Date/time of preparation	M	M	
0017	Date of preparation	M n6	M n6	
0019	Time of preparation	M n4	M n4	
0048	Functional group reference number	M an..14	M an..14	
0051	Controlling agency	M an..2	M an..2	UN UN/CEFACT
S008	Message version	M	M	
0052	Message version number	M an..3	M an..3	D Draft version/UN/EDIFACT Directory
0054	Message release number	M an..3	M an..3	01B Release 2001 - B
0057	Association assigned code	C an..6	C an..6	
0058	Application password	C an..14	C an..14	

Remark:

Example:

UNG+X+X:1+X:1+100922:1559+X+UN+D:01B:X+X'

No = Consecutive segment number
 MaxOcc = Maximum occurrence of the segment/group
 Counter = Counter of segment/group within the standard

St = Status
 EDIFACT: M=Mandatory, C=Conditional
 User specific: R=Required, O=Optional, D=Dependent,
 A=Advised, N=Not used

Counter	No	Tag	St	MaxOcc	Level	Name
---------	----	-----	----	--------	-------	------

0010	4	UNH	M	1	0	Message header
------	---	------------	---	---	---	----------------

Standard			Implementation	
Tag	Name	St Format	St Format	Usage / Remark
UNH				
0062	Message reference number	M an..14	M an..14	
S009	Message identifier	M	M	
0065	Message type	M an..6	M an..6	APERAK Application error and acknowledgement message
0052	Message version number	M an..3	M an..3	D Draft version/UN/EDIFACT Directory
0054	Message release number	M an..3	M an..3	01B Release 2001 - B
0051	Controlling agency	M an..2	M an..2	UN UN/CEFACT
0057	Association assigned code	C an..6	N	Not used
0068	Common access reference	C an..35	N	Not used
S010	Status of the transfer	C	N	
0070	Sequence of transfers	M n..2	N	Not used
0073	First and last transfer	C a1	N	Not used

Remark:
Messageheader segment

Example:
UNH+X+APERAK:D:01B:UN'

No = Consecutive segment number
MaxOcc = Maximum occurrence of the segment/group
Counter = Counter of segment/group within the standard

St = Status
EDIFACT: M=Mandatory, C=Conditional
User specific: R=Required, O=Optional, D=Dependent,
A=Advised, N=Not used

Counter	No	Tag	St	MaxOcc	Level	Name
0020	5	BGM	M	1	0	Beginning of message

Standard			Implementation	
Tag	Name	St Format	St Format	Usage / Remark
BGM				
C002	Document/message name	C	C	
1001	Document name code	C an..3	C an..3	312 Acknowledgement message 313 Application error message 401 Transshipment order 630 Shipping note 45 Transport status request 355 Customs summary declaration without commercial detail, alternate 707 Bill of lading copy 895 Statistical document, export TS2 SIS Ship information system 929 Goods declaration for importation
1131	Code list identification code	C an..17	N	Not used
3055	Code list responsible agency code	C an..3	N	Not used
1000	Document name	C an..35	N	Not used
C106	Document/message identification	C	C	
1004	Document identifier	C an..35	C an..35	Unique Documentnumber dbh
1056	Version identifier	C an..9	N	Not used
1060	Revision identifier	C an..6	N	Not used
1225	Message function code	C an..3	C an..3	9 Original
4343	Response type code	C an..3	C an..3	AP Accepted CA Conditionally accepted RE Rejected

Remark:
Type of response message (OK/Failure) and the unique document number

Example:
BGM+312+04711+9+CA'

No = Consecutive segment number
 MaxOcc = Maximum occurrence of the segment/group
 Counter = Counter of segment/group within the standard

St = Status
 EDIFACT: M=Mandatory, C=Conditional
 User specific: R=Required, O=Optional, D=Dependent,
 A=Advised, N=Not used

Counter	No	Tag	St	MaxOcc	Level	Name
0030	6	DTM	R	1	1	Declaration of the processing date from the received Message

Standard			Implementation	
Tag	Name	St Format	St Format	Usage / Remark
DTM				
C507	Date/time/period	M	M	
2005	Date or time or period function code qualifier	M an..3	M an..3	9 Processing date/time
2380	Date or time or period value	C an..35	C an..35	Date specification
2379	Date or time or period format code	C an..3	C an..3	203 CCYYMMDDHHMM

Remark:

Example:

DTM+9:201011012359:203'

No = Consecutive segment number
 MaxOcc = Maximum occurrence of the segment/group
 Counter = Counter of segment/group within the standard

St = Status
 EDIFACT: M=Mandatory, C=Conditional
 User specific: R=Required, O=Optional, D=Dependent,
 A=Advised, N=Not used

Counter	No	Tag	St	MaxOcc	Level	Name
0090		SG2	C	9	1	Reference data of original message
0100	7	RFF	M	1	1	Reference data referencing original BGM Document identifier

Standard			Implementation	
Tag	Name	St Format	St Format	Usage / Remark
RFF				
C506	Reference	M	M	
1153	Reference code qualifier	M an..3	M an..3	ANK Reference number assigned by third party
1154	Reference identifier	C an..70	C an..70	BGM original Document identifier
1156	Document line identifier	C an..6	N	Not used
4000	Reference version identifier	C an..35	N	Not used
1060	Revision identifier	C an..6	N	Not used

Remark:

Example:

RFF+ANK:1234567890'

No = Consecutive segment number
 MaxOcc = Maximum occurrence of the segment/group
 Counter = Counter of segment/group within the standard

St = Status
 EDIFACT: M=Mandatory, C=Conditional
 User specific: R=Required, O=Optional, D=Dependent,
 A=Advised, N=Not used

Counter	No	Tag	St	MaxOcc	Level	Name
0090		SG2	C	9	1	Reference data of original message
0100	8	RFF	M	1	1	SIS Ship reference number

Standard			Implementation	
Tag	Name	St Format	St Format	Usage / Remark
RFF				
C506	Reference	M	M	
1153	Reference code qualifier	M an..3	M an..3	SRN Shipment reference number
1154	Reference identifier	C an..70	C an..70	SIS Ship reference Number
1156	Document line identifier	C an..6	N	Not used
4000	Reference version identifier	C an..35	N	Not used
1060	Revision identifier	C an..6	N	Not used

Remark:

Example:

RFF+SRN:1234567890'

No = Consecutive segment number
 MaxOcc = Maximum occurrence of the segment/group
 Counter = Counter of segment/group within the standard

St = Status
 EDIFACT: M=Mandatory, C=Conditional
 User specific: R=Required, O=Optional, D=Dependent,
 A=Advised, N=Not used

Counter	No	Tag	St	MaxOcc	Level	Name
0090		SG2	C	9	1	Reference data of original message
0100	9	RFF	M	1	1	Reference

Standard			Implementation	
Tag	Name	St Format	St Format	Usage / Remark
RFF				
C506	Reference	M	M	
1153	Reference code qualifier	M an..3	M an..3	AGO Sender's reference to the original message
1154	Reference identifier	C an..70	C an..70	BL- Number / Equipment Number
1156	Document line identifier	C an..6	N	Not used
4000	Reference version identifier	C an..35	N	Not used
1060	Revision identifier	C an..6	N	Not used

Remark:

Example:

RFF+AGO:1234567890 '

No = Consecutive segment number
 MaxOcc = Maximum occurrence of the segment/group
 Counter = Counter of segment/group within the standard

St = Status
 EDIFACT: M=Mandatory, C=Conditional
 User specific: R=Required, O=Optional, D=Dependent,
 A=Advised, N=Not used

Counter	No	Tag	St	MaxOcc	Level	Name
0120		SG3	M	9	1	Sender contactdata, the dbh Logistics IT AG
0130	10	NAD	M	1	1	Address data dbh

Standard			Implementation	
Tag	Name	St Format	St Format	Usage / Remark
NAD				
3035	Party function code qualifier	M an..3	M an..3	MS Document/message issuer/sender
C082	Party identification details	C	C	
3039	Party identifier	M an..35	M an..35	DBH
1131	Code list identification code	C an..17	N	Not used
3055	Code list responsible agency code	C an..3	N	Not used
C058	Name and address	C	N	
3124	Name and address description	M an..35	N	Not used
3124	Name and address description	C an..35	N	Not used
3124	Name and address description	C an..35	N	Not used
3124	Name and address description	C an..35	N	Not used
3124	Name and address description	C an..35	N	Not used
C080	Party name	C	R	
3036	Party name	M an..35	M an..35	DBH LOGISTICS IT AG
3036	Party name	C an..35	N	Not used
3036	Party name	C an..35	N	Not used
3036	Party name	C an..35	N	Not used
3036	Party name	C an..35	N	Not used
3045	Party name format code	C an..3	N	Not used
C059	Street	C	R	
3042	Street and number or post office box identifier	M an..35	M an..35	MARTINI STR. 47-49
3042	Street and number or post office box identifier	C an..35	N	Not used
3042	Street and number or post office box identifier	C an..35	N	Not used
3042	Street and number or post office box identifier	C an..35	N	Not used
3164	City name	C an..35	R an..35	BREMEN
C819	Country sub-entity details	C	N	
3229	Country sub-entity name code	C an..9	N	Not used
1131	Code list identification code	C an..17	N	Not used
3055	Code list responsible agency code	C an..3	N	Not used
3228	Country sub-entity name	C an..70	N	Not used
3251	Postal identification code	C an..17	R an..17	28195
3207	Country name code	C an..3	R an..3	DE GERMANY

Remark:

Sender of the APERAK- message (always dbh)

Example:

NAD+MS+DBH++DBH LOGISTICS IT AG+MARTINISTR. 47-49+BREMEN++28195+DE'

Counter	No	Tag	St	MaxOcc	Level	Name
0120		SG3	M	9	1	Sender contactdata, the dbh Logistics IT AG
0140	11	CTA	R	9	2	Contact person dbh support

Standard			Implementation	
Tag	Name	St Format	St Format	Usage / Remark
CTA				
3139	Contact function code	C an..3	C an..3	IC Information contact AL Personnel contact
C056	Department or employee details	C	C	
3413	Department or employee name code	C an..17	C an..17	
3412	Department or employee name	C an..35	R an..35	DBH DBH-SUPPORT

Remark:

Example:

CTA+AL+:DBH'

No = Consecutive segment number
 MaxOcc = Maximum occurrence of the segment/group
 Counter = Counter of segment/group within the standard

St = Status
 EDIFACT: M=Mandatory, C=Conditional
 User specific: R=Required, O=Optional, D=Dependent,
 A=Advised, N=Not used

Counter	No	Tag	St	MaxOcc	Level	Name
0120		SG3	M	9	1	Sender contactdata, the dbh Logistics IT AG
0150	12	COM	C	9	2	Communication contact

Standard			Implementation	
Tag	Name	St Format	St Format	Usage / Remark
COM				
C076	Communication contact	M	M	
3148	Communication address identifier	M an..512	M an..512	01801/309020
3155	Communication address code qualifier	M an..3	M an..3	TE Telephone

Remark:

Example:

COM+0049 421-3090222:TE'

No = Consecutive segment number
 MaxOcc = Maximum occurrence of the segment/group
 Counter = Counter of segment/group within the standard

St = Status
 EDIFACT: M=Mandatory, C=Conditional
 User specific: R=Required, O=Optional, D=Dependent,
 A=Advised, N=Not used

Counter	No	Tag	St	MaxOcc	Level	Name
0160		SG4	D	99999	1	Error group
0170	13	ERC	M	1	1	Application error information

Standard			Implementation	
Tag	Name	St Format	St Format	Usage / Remark
ERC				
C901	Application error detail	M	M	
9321	Application error code	M an..8	M an..8	Errorcode of the involved System
1131	Code list identification code	C an..17	C an..17	
3055	Code list responsible agency code	C an..3	C an..3	

Remark:

Example:

ERC+MOB:BIP:DBH'

No = Consecutive segment number
 MaxOcc = Maximum occurrence of the segment/group
 Counter = Counter of segment/group within the standard

St = Status
 EDIFACT: M=Mandatory, C=Conditional
 User specific: R=Required, O=Optional, D=Dependent,
 A=Advised, N=Not used

Counter	No	Tag	St	MaxOcc	Level	Name
0160		SG4	D	99999	1	Error group
0180	14	FTX	C	1	2	Additional information (free Text) for the error

Standard			Implementation	
Tag	Name	St Format	St Format	Usage / Remark
FTX				
4451	Text subject code qualifier	M an..3	M an..3	AAO Error description (free text)
4453	Free text function code	C an..3	N	Not used
C107	Text reference	C	N	Not used
4441	Free text value code	M an..17	N	Not used
1131	Code list identification code	C an..17	N	Not used
3055	Code list responsible agency code	C an..3	N	Not used
C108	Text literal	C	C	
4440	Free text value	M an..512	M an..512	Error description
4440	Free text value	C an..512	N	Not used
4440	Free text value	C an..512	N	Not used
4440	Free text value	C an..512	N	Not used
4440	Free text value	C an..512	N	Not used
3453	Language name code	C an..3	N	Not used
4447	Free text format code	C an..3	N	Not used

Remark:

Example:

FTX+AAO+++Unbekannte BIP- Referenz'

No = Consecutive segment number
 MaxOcc = Maximum occurrence of the segment/group
 Counter = Counter of segment/group within the standard

St = Status
 EDIFACT: M=Mandatory, C=Conditional
 User specific: R=Required, O=Optional, D=Dependent,
 A=Advised, N=Not used

Counter	No	Tag	St	MaxOcc	Level	Name
---------	----	-----	----	--------	-------	------

0220	15	UNT	M	1	0	Message trailer
------	----	------------	---	---	---	-----------------

Standard			Implementation	
Tag	Name	St Format	St Format	Usage / Remark
UNT				
0074	Number of segments in the message	M n..6	M n..6	Total count of segments in the message including UNH and UNT
0062	Message reference number	M an..14	M an..14	Unique message reference. according to UNH 0062

Remark:

Example:

UNT+17+REF '4711'

No = Consecutive segment number
 MaxOcc = Maximum occurrence of the segment/group
 Counter = Counter of segment/group within the standard

St = Status
 EDIFACT: M=Mandatory, C=Conditional
 User specific: R=Required, O=Optional, D=Dependent,
 A=Advised, N=Not used

Counter	No	Tag	St	MaxOcc	Level	Name
---------	----	-----	----	--------	-------	------

0000	16	UNE	C	1	0	Functional group trailer
------	----	------------	---	---	---	--------------------------

Standard			Implementation	
Tag	Name	St Format	St Format	Usage / Remark
UNE				
0060	Number of messages	M n..6	M n..6	
0048	Functional group reference number	M an..14	M an..14	

Remark:

Example:

UNE+1+X'

No = Consecutive segment number
 MaxOcc = Maximum occurrence of the segment/group
 Counter = Counter of segment/group within the standard

St = Status
 EDIFACT: M=Mandatory, C=Conditional
 User specific: R=Required, O=Optional, D=Dependent,
 A=Advised, N=Not used

Counter	No	Tag	St	MaxOcc	Level	Name
---------	----	-----	----	--------	-------	------

0000	17	UNZ	M	1	0	Interchange trailer
------	----	------------	---	---	---	---------------------

Standard			Implementation	
Tag	Name	St Format	St Format	Usage / Remark
UNZ				
0036	Interchange control count	M n..6	M n..6	
0020	Interchange control reference	M an..14	M an..14	

Remark:

Example:

UNZ+1+X'

No = Consecutive segment number
 MaxOcc = Maximum occurrence of the segment/group
 Counter = Counter of segment/group within the standard

St = Status
 EDIFACT: M=Mandatory, C=Conditional
 User specific: R=Required, O=Optional, D=Dependent,
 A=Advised, N=Not used

Error Code of an APERAK

If you receive an error message you find the error code (ERC) and the error description (FTX+AAO) in segment group 4 (SG4). Currently there is a coordination of the error codes with the DAKOSY AG. Therefore, it will come in the near future to modifications of the error code mappings. If the changes are complete, you will find the valid error codes at this location. Until then we ask you to interpret the message by the detailed error description.